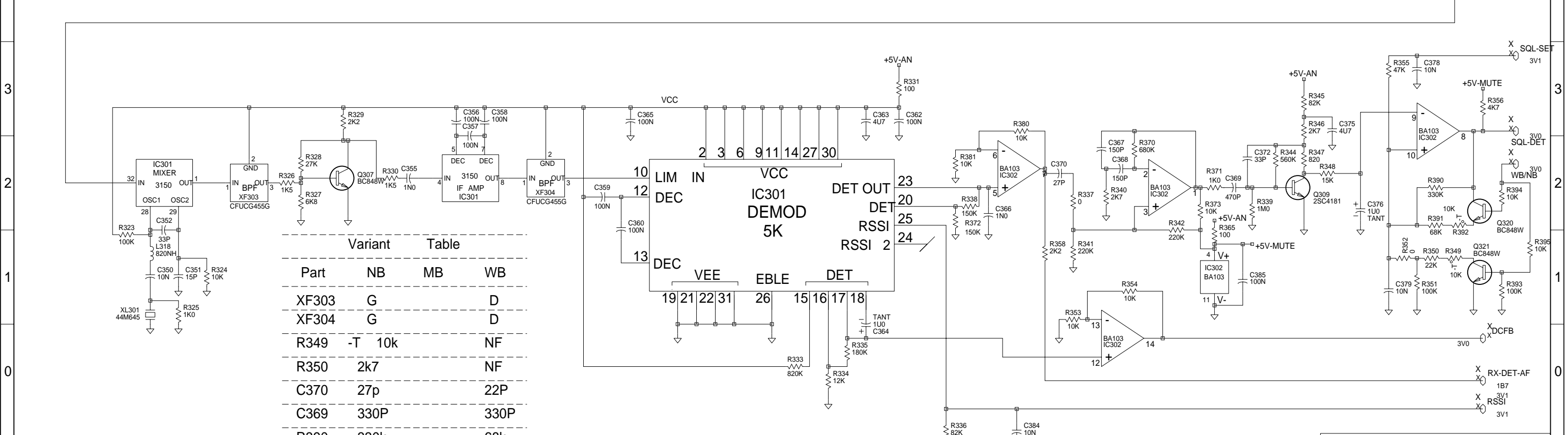
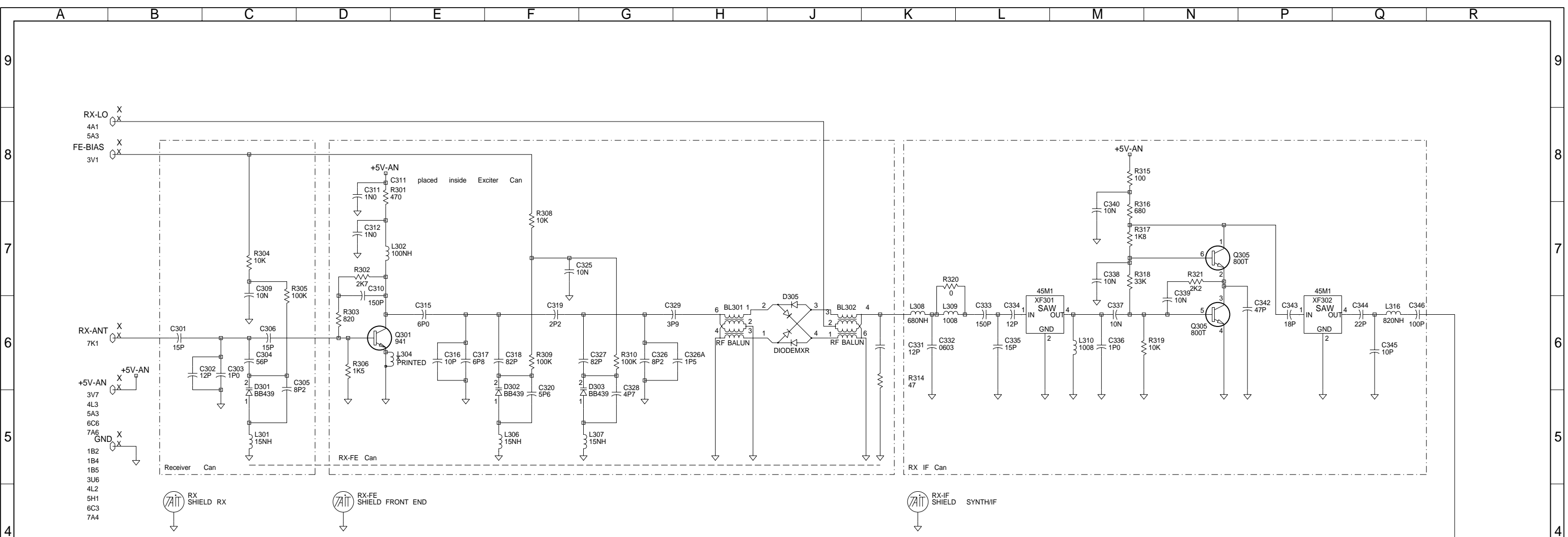
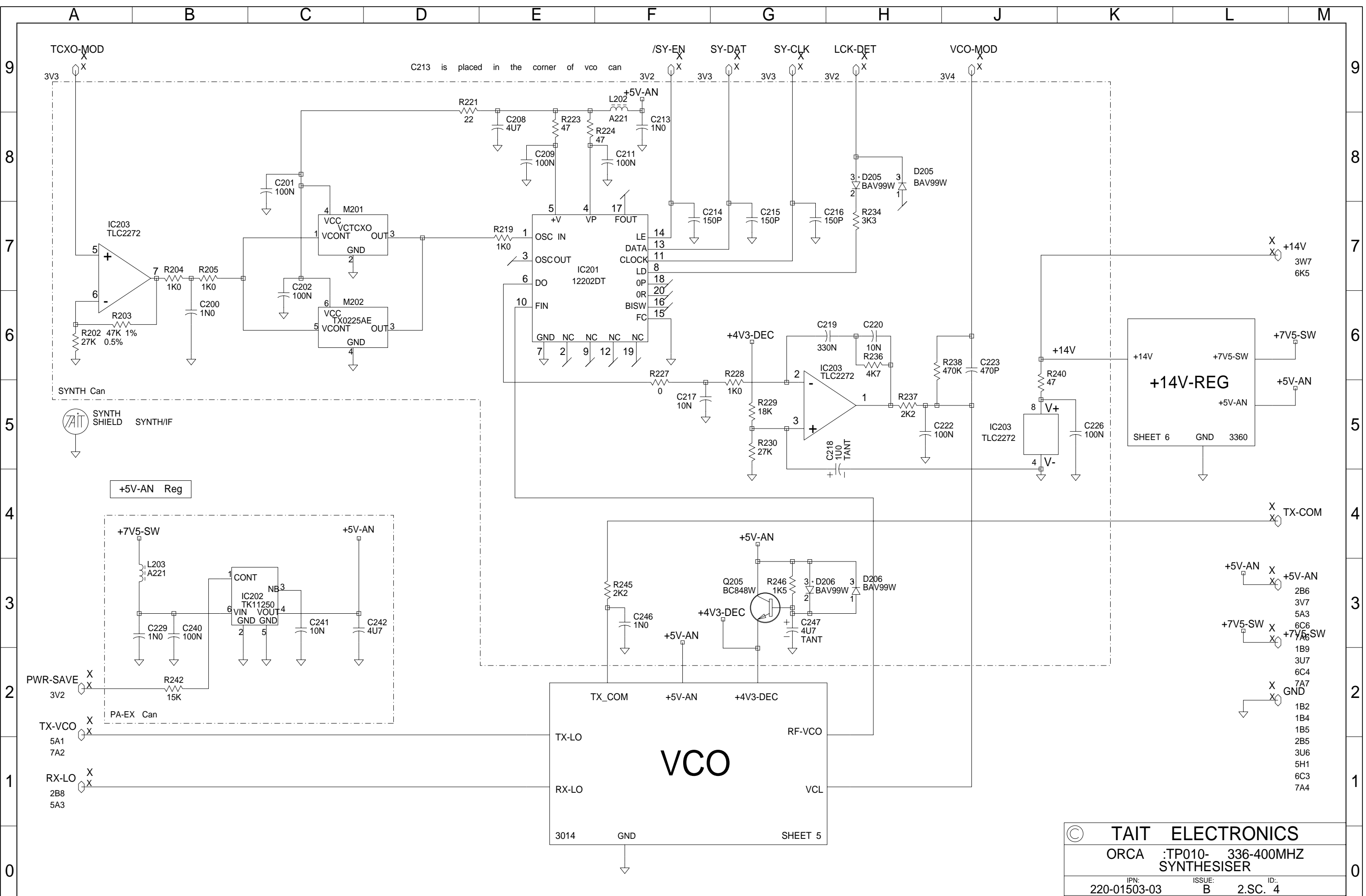


REV/ISS	AMENDMENTS	DRAWN	CHKD	D.O.	APVD	DATE
03B	ADJUSTED T-CU AS PER PENTEX	BRD	X	X	X	03-06-99
03A	UPDATE ALC AND AFC	BRD				17-05-99
02A	SEE NOTES FILE FOR CHANGES	BRD				10/02/99
08	UPDATED MUTE CIRCUITRY	DBH				

Sub UHF

© TAIT ELECTRONICS
 ORCA :TP010- 336-400MHZ
 SYSTEM DIAGRAM
 IPN: 220-01503-03 ISSUE: B ID: 2.S.C. 1
 PROJECT: ORCA BRD DESIGNER: 150303B FILE NAME: 09-06-99 NO.SHEETS: 7

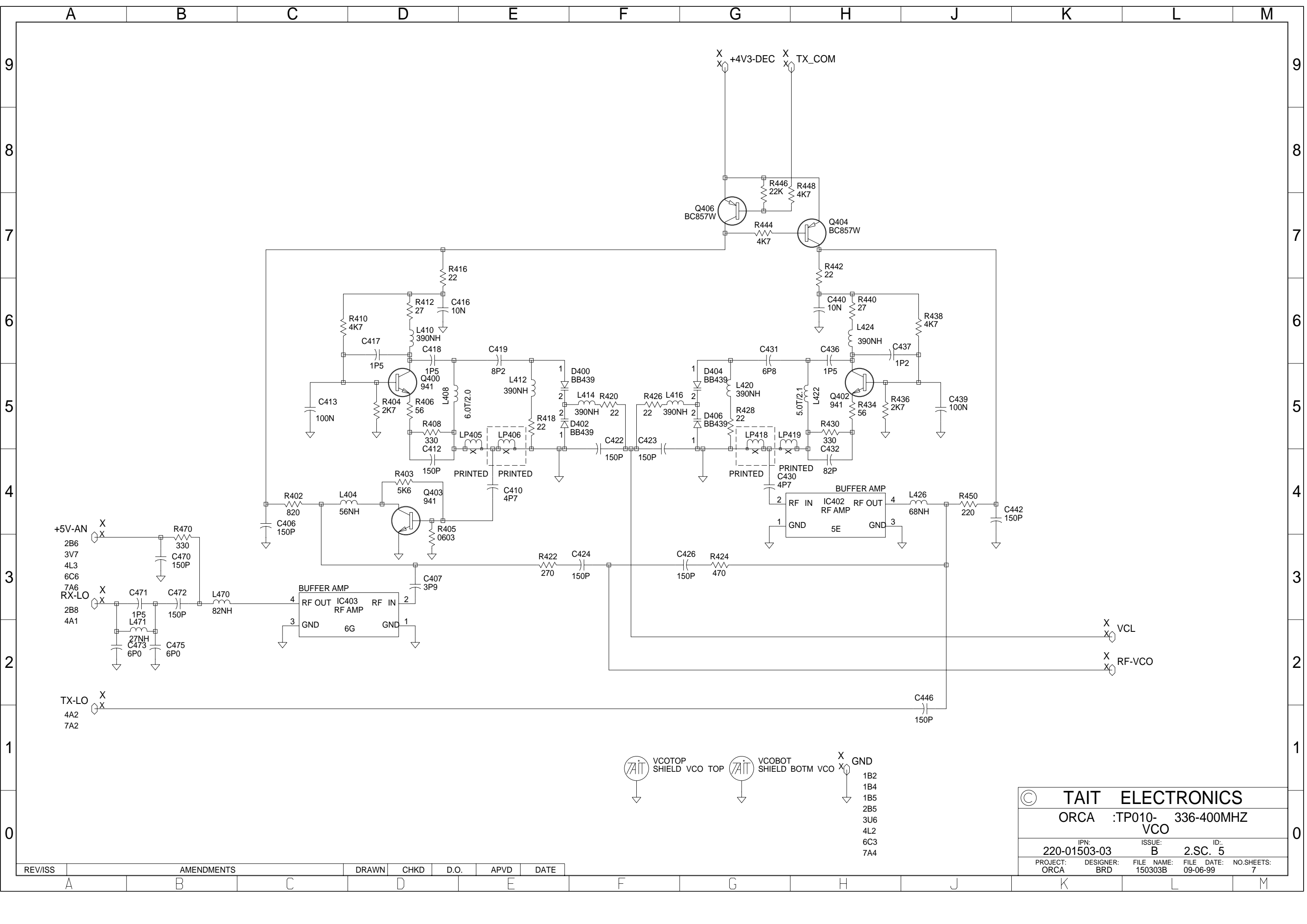




© TAIT ELECTRONICS				
ORCA :TP010- 336-400MHZ SYNTHESISER				
IPN:	ISSUE:	ID:		
220-01503-03	B	2.SC. 4		
PROJECT:	DESIGNER:	FILE NAME:	FILE DATE:	NO.SHEETS:
ORCA	BRD	150303B	09-06-99	7

REV/ISS	AMENDMENTS	DRAWN	CHKD	D.O.	APVD	DATE

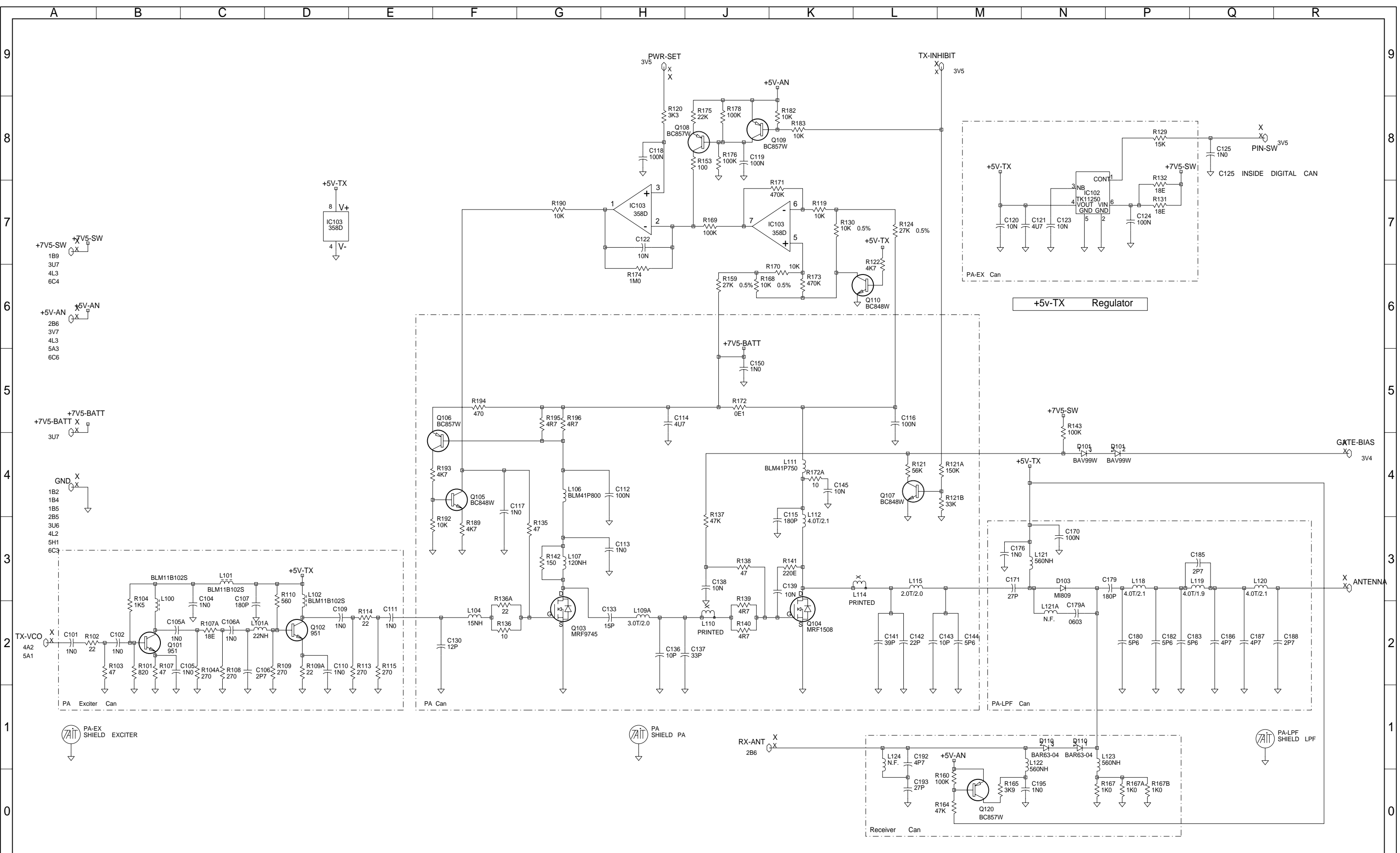
- X 2B6
- X 3V7
- X 5A3
- X 6C6
- X 7A6
- X 1B9
- X 3U7
- X 6C4
- X 7A7
- X GND
- X 1B2
- X 1B4
- X 1B5
- X 2B5
- X 3U6
- X 5H1
- X 6C3
- X 7A4



VCOTOP SHIELD VCO TOP
 VCOBOT SHIELD BOTM VCO
 GND
 1B2
 1B4
 1B5
 2B5
 3U6
 4L2
 6C3
 7A4

© TAIT ELECTRONICS
 ORCA :TP010- 336-400MHZ
 VCO
 IPN: 220-01503-03 ISSUE: B ID: 2.SC. 5
 PROJECT: ORCA DESIGNER: BRD FILE NAME: 150303B FILE DATE: 09-06-99 NO.SHEETS: 7

REV/ISS	AMENDMENTS	DRAWN	CHKD	D.O.	APVD	DATE



03A	X		X	X	X	X	X
REV/ISS	AMENDMENTS	DRAWN	CHKD	D.O.	APVD	DATE	

© TAIT ELECTRONICS
 ORCA :TP010- 336-400MHZ
 LOWCOST T3010
 IPN: 220-01503-03 ISSUE: B ID: 2.S.C. 7
 PROJECT: ORCA DESIGNER: BRD FILE NAME: 150303B FILE DATE: 09-06-99 NO.SHEETS: 7